



KIT UNI LED

Kit de emergencia para luminarias LED con driver externo.

Adecuado para luminarias de LED con un rango de tensión de trabajo de 15VDC a 200VDC.

La potencia en emergencia es entre 5W - 25W.

Conversion kit for LED luminaires with external driver.

Suitable for LED luminaires with a working voltage range from 15VDC to 200VDC.

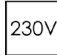



The power in emergency is between 5W - 25W.

KIT UNI-LED

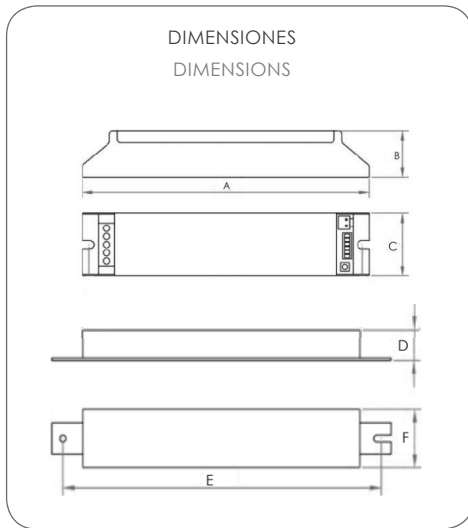
IP20

Iluminación de emergencia
Emergency lighting

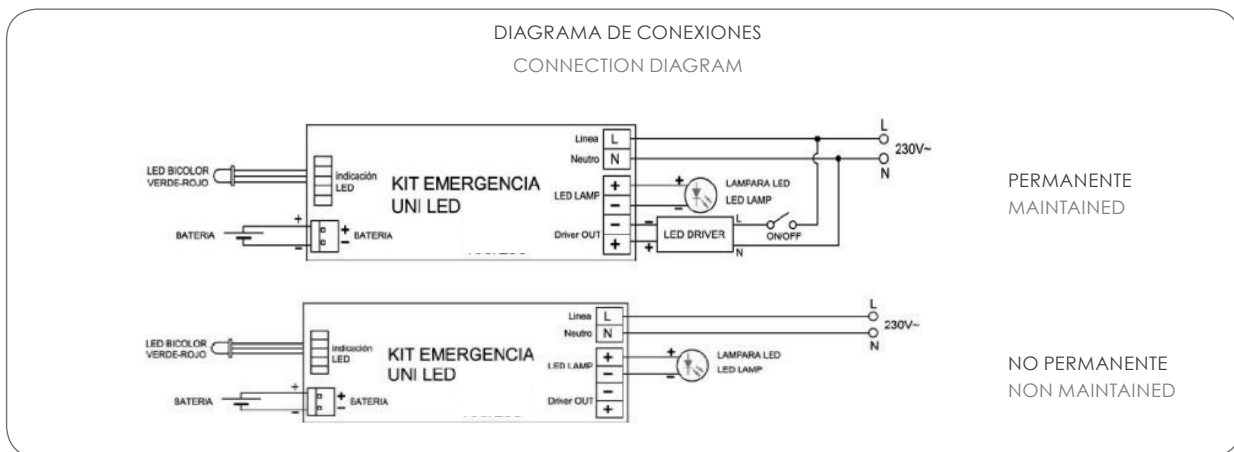
ESPECIFICACIONES SPECIFICATIONS

-  230V 230V - 50/60Hz
-  IP IP20
-  Permanente/No permanente/Autotest
Maintained/Non maintained/Self-test
-  GARANTÍA 2 años
2 year warranty

-  Clase I
Class I
-  Marcado CE
CE marked
-  24 horas
24 hours
-  Li-Ion



	UNI LED 50/100	UNI LED 100/150	UNI LED 150/200	UNI LED 15/120
A	178 mm	178 mm	178 mm	168 mm
B	28 mm	28 mm	28 mm	28 mm
C	44 mm	44 mm	44 mm	38 mm
D	24 mm	24 mm	24 mm	20 mm
E	145 mm	145 mm	145 mm	230 mm
F	37 mm	37 mm	37 mm	37 mm



www.trqsl.com

PERMANENTE/NO PERMANENTE/AUTOTEST - MAINTAINED/NON MAINTAINED/SELF-TEST

IP20

Código Code	Modelo Model	IP	Peso Weight	Autonomía Autonomy	Batería Li-Ion Battery Li-Ion	Tensión salida Output voltage
32604	KIT UNI-LED 50-100	20	0.51	1 - 3	11.1V 2.6Ah	50 - 100
32603	KIT UNI-LED 100-150	20	0.51	1 - 3	11.1V 2.6Ah	100 - 150
32605	KIT UNI-LED 150-200	20	0.51	1 - 3	11.1V 2.6Ah	150 - 200
32601	KIT UNI-LED 15-120	20	0.51	1 - 3	12V 4.4Ah	15 - 120

*Fabricado según la norma UNE-EN 61347-2-13/ Manufactured according to standard UNE-EN 61347-2-13.